

# Polaris wire rope hoist

Rugged wire rope hoist with lift capacity up to five tons features:

- Motor mounted disc brake
- Hoist duty motor drive and gear train arrangement
- Frame = welded steel, (2 sizes – short and long)
- Brakes – multiple disc D.C. motor brake, and Weston style mechanical
- Alloy aluminum gear case and cover
- Drum – deep groove design, no overlap, minimum 24:1 D:d ratio, cast iron  
 uses 3/16" 6x19 IWRC / IPS  
 1/4" 6X36 FC / IPS  
 5/16" 6X37 IWRC / IPS wire rope
- Single reeved or true vertical lift available
- One-year warranty
- Tested to 125% of rated load prior to shipment
- Metric rated
- Made in the U.S.A.



**3**

## POLARIS

Capacities – 1 thru 5 ton

Capacities (single reeved) – 1 thru 5 ton

Capacities (true vertical lift) – 1 thru 2 ton

## WELDED STEEL FRAME

- Control end cover – steel
- Gearing – triple reduction gearing using helical and spur type
- Lubrication – gears and load brake in oil bath housing
- HOOK BLOCK – Heat treated hook rotates 360 degrees on thrust bearing, aluminum hook block covers, sheave and thrust bearings are of the sleeve type.
- MOTOR = T.E.N.V., Class F insulation, T.A.S. in windings, 230/460 – 3-60 reconnectable (single speed)
- REVERSING CONTACTOR – Magnetic heavy duty hoist type with renewable contacts
- HOOK BLOCK OPERATED UPPER LIMIT = Full width floating upper limit shuts hoist down when contacted by lower hook block. Should the block continue to run a reversing switch is actuated and automatically reverses direction of hook block. (Automatic plug reverse.)
- 115 VOLT CONTROL = STANDARD
- LUG – Permits positioning hoist in one fixed position
- PUSH TROLLEYS – Permits mounting of hoist on S beam, H beam or patented track

- GEARED TROLLEYS – Trolley movement is accomplished by pulling on hand chain which drives geared track wheels.
- GEARED AND PUSH TROLLEYS (general construction)  
 1 and 2 ton track wheels are pressed steel with ball bearings and hardened treads, bearings are greaseable.  
 3 and 5 ton track wheels are from forged steel, heat treated with permanently lubricated sealed ball bearings.
- MOTOR DRIVEN TROLLEYS = Includes right angle gear motor, and reversing contactor. *STANDARD SPEEDS ARE 50-60 OR 75 F.P.M.*  
 1 thru 2 ton motor driven trolley wheels are pressed steel, heat treated treads and ball bearings with grease fittings.  
 2 thru 5 ton wheels are forged steel with machined heat treated treads with ball bearings that are permanently lubricated.  
 All trolleys adjust to a standard beam range listed in the catalog.

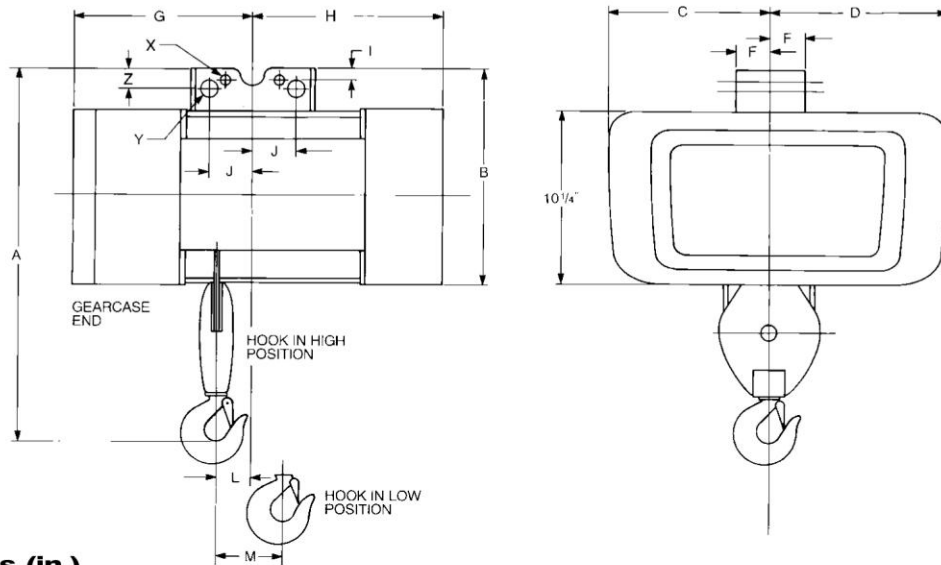
## **\* ⚠ WARNING**

**Failure to properly install, operate and maintain CM hoists may result in injury and/or property damage.**

### To avoid injury:

- CM hoists must be installed, operated and maintained properly.
- Installation, maintenance and operation must be carried out as instructed in the manual provided with each CM hoist.
- Do not use any CM hoists for lifting people; special equipment is required for this purpose. Refer to ASME/ANSI A - 17 Series and applicable state and local codes for specific requirements.

# Polaris hoist with lug suspension



3

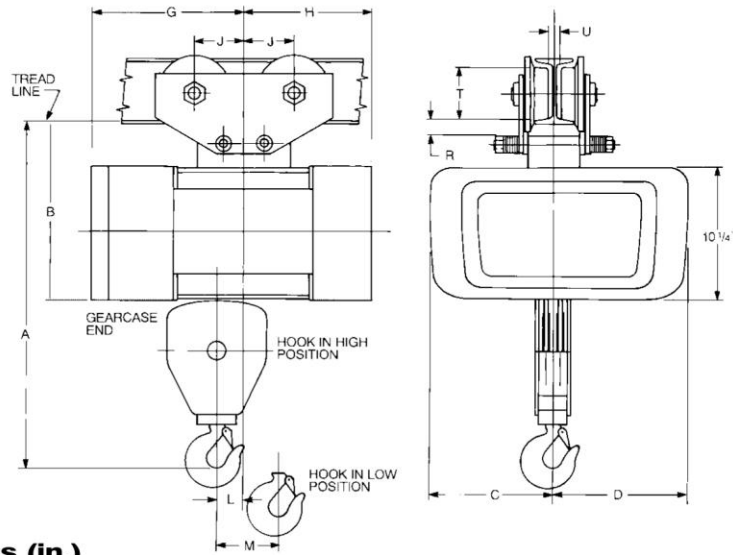
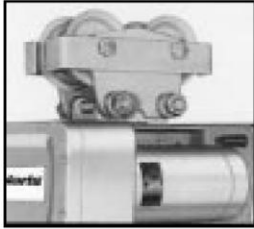
### Clearance dimensions (in.)

Rated capacity* (tons)	A	B	C	D	F	G	H	I	J	L	M	X	Y	Z
1	21 3/4	12 5/8	9 3/8	10 1/4	2	10 5/8	11 1/8	1 1/16	2 1/2	2	3 7/8	2 1/32	1 1/32	1 3/16
2	23 1/2	12 5/8	9 3/8	10 1/4	2	10 5/8	11 1/8	1 1/16	2 1/2	2	3 7/8	2 1/32	1 1/32	1 3/16
3	26	13 5/8	9 1/8	10 1/2	3	12 1/2	22 3/8	1 5/16	3	1 1/32	5 3/8	—	1 9/32	—
5	27 3/4	13 5/8	9 1/8	10 1/2	3	12 1/2	22 5/8	1 5/16	3	7/8	3 1/2	—	1 9/32	—

### Specifications

Product code	Rated capacity* (tons)	Lift (ft.)	Speed (F.P.M.)	H.P.	Rope no. & dia.	Net weight (lbs.)
6000L	1	25	16	1	2 1/4	190
6004L	2	20	16	2	2 5/16	220
6008L	3	30	16	4	4 5/16	335
6016L	5	20	12	4	6 5/16	355

# Polaris hoist with plain push trolley



### Clearance dimensions (in.)

Rated capacity* (tons)	A	B	C	D	G	H	J	L	M	R	T	U
1	22 <sup>15</sup> / <sub>16</sub>	13 <sup>13</sup> / <sub>16</sub>	9 <sup>3</sup> / <sub>8</sub>	10 <sup>1</sup> / <sub>4</sub>	10 <sup>5</sup> / <sub>8</sub>	11 <sup>1</sup> / <sub>8</sub>	3 <sup>1</sup> / <sub>8</sub>	2	3 <sup>7</sup> / <sub>8</sub>	1 <sup>5</sup> / <sub>32</sub>	4	1 <sup>1</sup> / <sub>4</sub>
2	24 <sup>5</sup> / <sub>16</sub>	13 <sup>7</sup> / <sub>16</sub>	9 <sup>3</sup> / <sub>8</sub>	10 <sup>1</sup> / <sub>4</sub>	10 <sup>5</sup> / <sub>8</sub>	11 <sup>1</sup> / <sub>8</sub>	3 <sup>7</sup> / <sub>16</sub>	2	3 <sup>7</sup> / <sub>8</sub>	1 <sup>3</sup> / <sub>16</sub>	4 <sup>15</sup> / <sub>16</sub>	1 <sup>3</sup> / <sub>16</sub>
3	27 <sup>3</sup> / <sub>16</sub>	14 <sup>5</sup> / <sub>8</sub>	9 <sup>1</sup> / <sub>8</sub>	10 <sup>1</sup> / <sub>2</sub>	12 <sup>1</sup> / <sub>2</sub>	22 <sup>3</sup> / <sub>8</sub>	6	1 <sup>1</sup> / <sub>32</sub>	5 <sup>3</sup> / <sub>8</sub>	1 <sup>3</sup> / <sub>16</sub>	6 <sup>1</sup> / <sub>2</sub>	1
5	29 <sup>1</sup> / <sub>16</sub>	14 <sup>15</sup> / <sub>16</sub>	9 <sup>1</sup> / <sub>8</sub>	10 <sup>1</sup> / <sub>2</sub>	12 <sup>1</sup> / <sub>2</sub>	22 <sup>3</sup> / <sub>8</sub>	6	7 <sup>7</sup> / <sub>8</sub>	3 <sup>1</sup> / <sub>2</sub>	1 <sup>5</sup> / <sub>16</sub>	6 <sup>1</sup> / <sub>2</sub>	1

### Specifications

Product code	Rated capacity* (tons)	Lift (ft.)	Speed (F.P.M.)	H.P.	Rope no. & dia.	Net weight (lbs.)
6000P	1	25	16	1	2 1/4	213
6004P	2	20	16	2	2 5/16	263
6008P	3	30	16	4	4 5/16	475
6016P	5	20	12	4	6 5/16	495

Trolley flange range width 1 ton 3" min., 5" max.; 2 ton 3<sup>5</sup>/<sub>8</sub>" min., 6" max.; 3-5 ton 4" min., 6<sup>1</sup>/<sub>4</sub>" max.

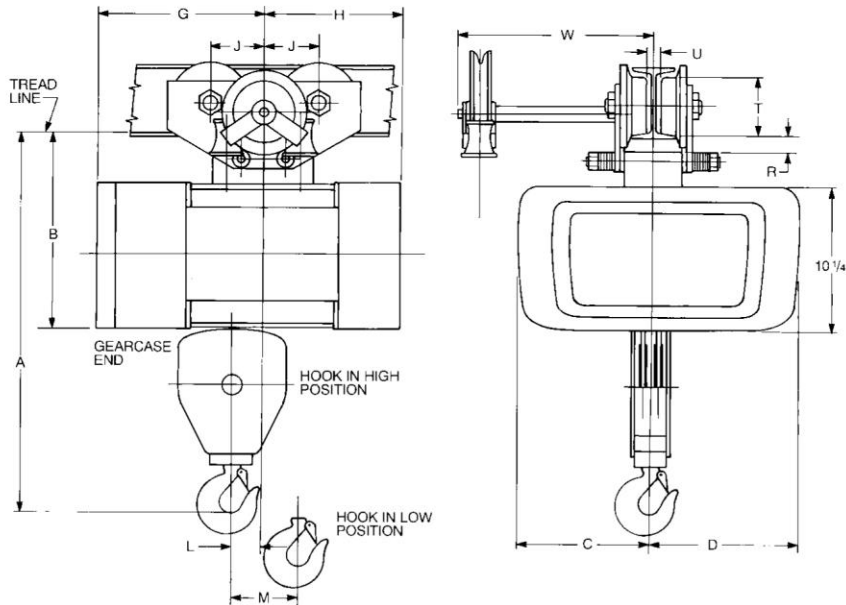
## \* **WARNING**

**Failure to properly install, operate and maintain CM hoists may result in injury and/or property damage.**

#### To avoid injury:

- CM hoists must be installed, operated and maintained properly.
- Installation, maintenance and operation must be carried out as instructed in the manual provided with each CM hoist.
- Do not use any CM hoists for lifting people; special equipment is required for this purpose. Refer to ASME/ANSI A - 17 Series and applicable state and local codes for specific requirements.

# Polaris hoist with hand geared trolley



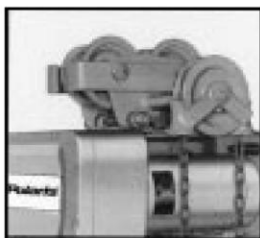
### Clearance dimensions (in.)

Rated capacity* (tons)	A	B	C	D	G	H	J	L	M	R	T	U	W
1	22 <sup>15/16</sup>	13 <sup>13/16</sup>	9 <sup>3/8</sup>	10 1/4	10 <sup>5/8</sup>	11 <sup>1/8</sup>	3 1/8	2	3 <sup>7/8</sup>	1 <sup>5/32</sup>	4	7/8	13
2	24 <sup>5/16</sup>	13 <sup>7/16</sup>	9 <sup>3/8</sup>	10 1/4	10 <sup>5/8</sup>	11 <sup>1/8</sup>	3 <sup>7/16</sup>	2	3 <sup>7/8</sup>	1 <sup>3/16</sup>	4 <sup>15/16</sup>	1 1/4	13 <sup>5/8</sup>
3	28 <sup>3/16</sup>	14 <sup>13/16</sup>	9 1/8	10 1/2	12 <sup>1/2</sup>	22 <sup>3/8</sup>	6	1 1/32	5 <sup>3/8</sup>	1 <sup>3/16</sup>	6 1/2	1	19 <sup>1/8</sup>
5	29 <sup>1/16</sup>	14 <sup>15/16</sup>	9 1/8	10 1/2	12 <sup>1/2</sup>	22 <sup>3/8</sup>	6	7/8	3 1/2	1 <sup>5/16</sup>	6 1/2	1	19 <sup>1/8</sup>

### Specifications

Product code	Rated capacity* (tons)	Lift (ft.)	Speed (F.P.M.)	H.P.	Rope no. & dia.	Net weight (lbs.)
6000G	1	25	16	1	2 1/4	230
6004G	2	20	16	2	2 5/16	280
6008G	3	30	16	4	4 5/16	560
6016G	5	20	12	4	6 5/16	580

Trolley flange range width 1 ton 3" min., 5" max.; 2 ton 3<sup>9/8</sup>" min., 6" max.; 3-5 ton 4" min., 6<sup>1/4</sup>" max.



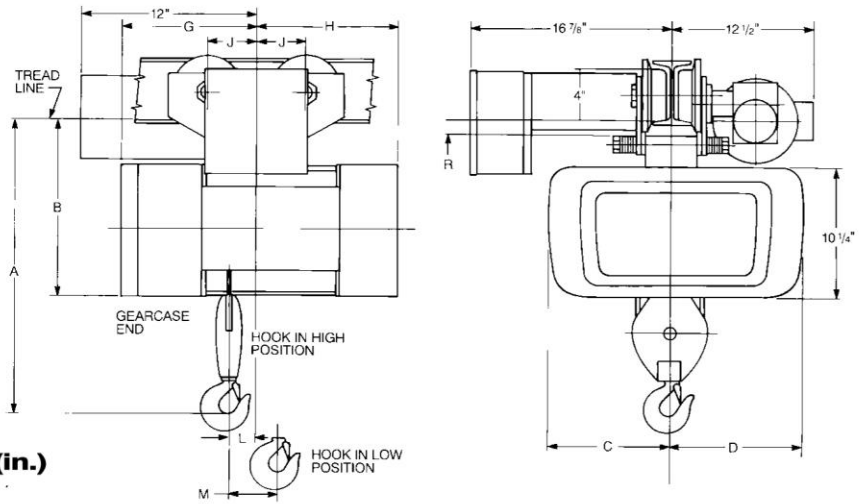
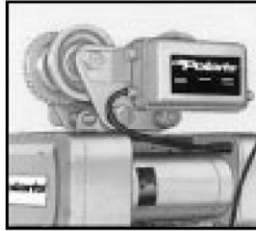
## \* ⚠ WARNING

Failure to properly install, operate and maintain CM hoists may result in injury and/or property damage.

#### To avoid injury:

- CM hoists must be installed, operated and maintained properly.
- Installation, maintenance and operation must be carried out as instructed in the manual provided with each CM hoist.
- Do not use any CM hoists for lifting people; special equipment is required for this purpose. Refer to ASME/ANSI A - 17 Series and applicable state and local codes for specific requirements.

# Polaris hoist with motor driven trolley



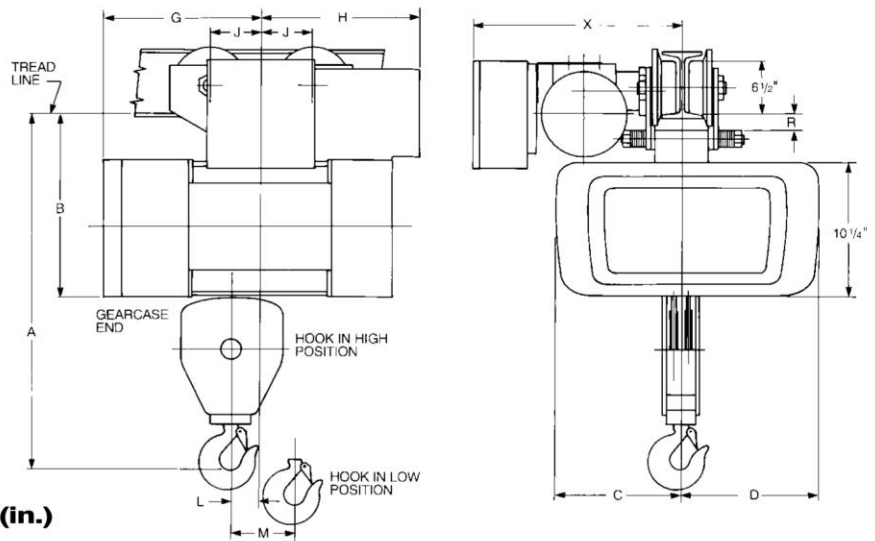
### Clearance dimensions (in.)

Rated capacity* (tons)	A	B	C	D	G	H	J	L	M	R
1	22 <sup>1</sup> / <sub>16</sub>	13 <sup>9</sup> / <sub>16</sub>	9 <sup>3</sup> / <sub>8</sub>	10 <sup>1</sup> / <sub>4</sub>	10 <sup>5</sup> / <sub>8</sub>	11 <sup>1</sup> / <sub>8</sub>	3 <sup>7</sup> / <sub>8</sub>	2	3 <sup>7</sup> / <sub>8</sub>	1 <sup>5</sup> / <sub>16</sub>
2	24 <sup>7</sup> / <sub>16</sub>	13 <sup>9</sup> / <sub>16</sub>	9 <sup>3</sup> / <sub>8</sub>	10 <sup>1</sup> / <sub>4</sub>	10 <sup>5</sup> / <sub>8</sub>	11 <sup>1</sup> / <sub>8</sub>	4 <sup>9</sup> / <sub>16</sub>	2	3 <sup>7</sup> / <sub>8</sub>	1 <sup>5</sup> / <sub>16</sub>

### Specifications

Product code	Rated capacity* (tons)	HOIST				TROLLEY		Net weight (lbs.)
		Lift (ft.)	Speed (F.P.M.)	H.P.	Rope no. & dia.	Speed (F.P.M.)	H.P.	
6000M	1	25	16	1	2 1/4	75	1/4	266
6004M	2	20	16	2	2 5/16	60	1/4	385

Trolley flange range width 1 ton 3" min., 5" max.; 2 ton 3<sup>5</sup>/<sub>8</sub>" min., 6" max.



### Clearance dimensions (in.)

Rated capacity* (tons)	A	B	C	D	G	H	J	L	M	R
3	27 <sup>3</sup> / <sub>16</sub>	14 <sup>5</sup> / <sub>8</sub>	9 <sup>1</sup> / <sub>8</sub>	10 <sup>1</sup> / <sub>2</sub>	12 <sup>1</sup> / <sub>2</sub>	22 <sup>3</sup> / <sub>8</sub>	6	1 <sup>1</sup> / <sub>32</sub>	5 <sup>3</sup> / <sub>8</sub>	1 <sup>9</sup> / <sub>16</sub>
5	29 <sup>1</sup> / <sub>16</sub>	14 <sup>15</sup> / <sub>16</sub>	9 <sup>1</sup> / <sub>8</sub>	10 <sup>1</sup> / <sub>2</sub>	12 <sup>1</sup> / <sub>2</sub>	22 <sup>3</sup> / <sub>8</sub>	6	7/8	3 <sup>1</sup> / <sub>2</sub>	1 <sup>9</sup> / <sub>16</sub>

### Specifications

Product code	Rated capacity* (tons)	HOIST				TROLLEY		Net weight (lbs.)
		Lift (ft.)	Speed (F.P.M.)	H.P.	Rope no. & dia.	Speed (F.P.M.)	H.P.	
6008M	3	30	16	4	4 5/16	50	1/2	525
6016M	5	20	12	4	6 5/16	50	1/2	545

Trolley flange range width 4" min., 6<sup>1</sup>/<sub>4</sub>" max.