

## Apollo wire rope hoist

The Apollo compact wire rope hoist provides high hook lift with no design compromises. It lets you choose from the widest range of lifts, lifting speeds, clearances, mounting options and controls of any hoist on the market. It features:

- Weston-type mechanical load brake and multiple disc motor brake
- 2-20 ton capacity for wide range of lifting needs
- Low headroom design
- Double reduction reduced gearing provides smooth, quiet drive train
- NEMA 4, 4x12 enclosed push-button control
- Reverse plugging block operated upper limit switch
- Aluminum gear housing and covers
- Deep grooved, large diameter rope drum eliminates overwrap
- Plain, geared or motor driven trolleys available
- One-year warranty
- Tested to 125% of rated load prior to shipment
- Metric rated
- Made in the U.S.A.



3

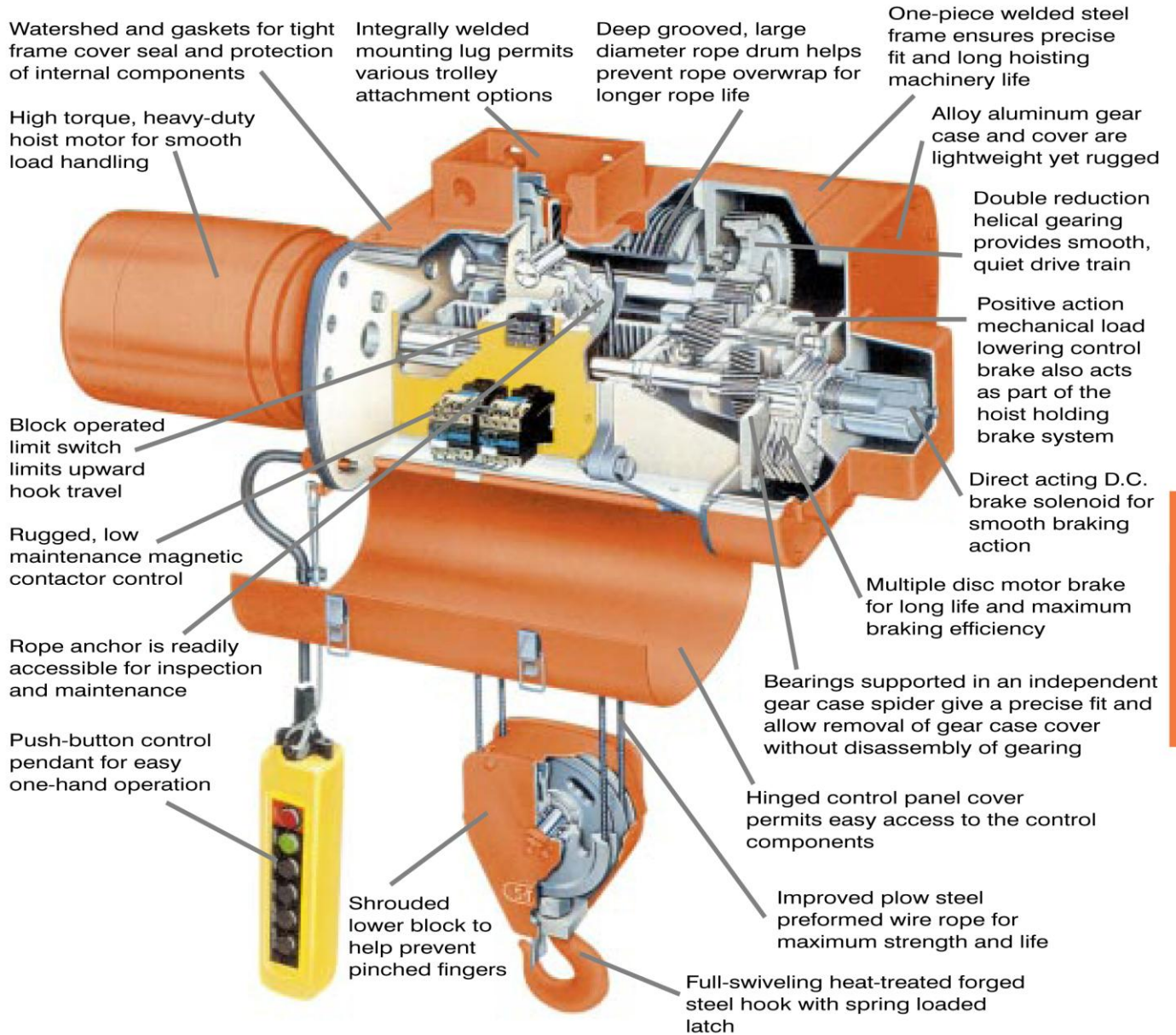
APOLLO

### \* ⚠ WARNING

**Failure to properly install, operate and maintain CM hoists may result in injury and/or property damage.**

**To avoid injury:**

- CM hoists must be installed, operated and maintained properly.
- Installation, maintenance and operation must be carried out as instructed in the manual provided with each CM hoist.
- Do not use any CM hoists for lifting people; special equipment is required for this purpose. Refer to ASME/ANSI A - 17 Series and applicable state and local codes for specific requirements.



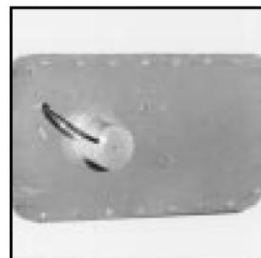
**3**

**Automatic load brake**



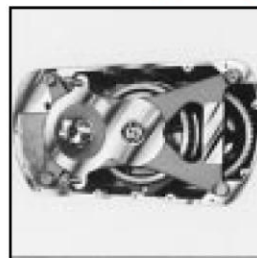
Weston-type mechanical load brake provides smooth, fast, positive braking with no hook block drift. Either load or motor brake can individually support rated load.

**Motor brake solenoid**



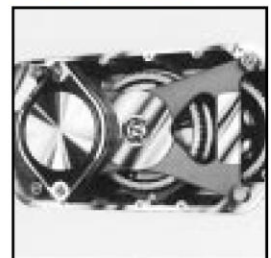
Solenoid coil which operates motor brake is mounted externally on gear case end of hoist. Aluminum cover can be removed easily for brake adjustment if necessary.

**Helical two reduction gearing**



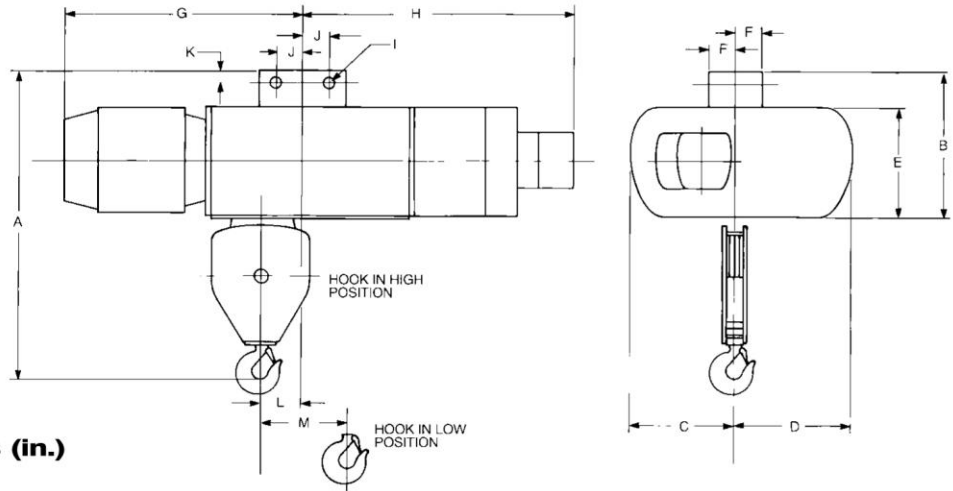
Wide faced helical heat treated steel gearing assures long life and smooth, quiet operation. Anti-friction bearings throughout.

**Multiple disc motor brake**



Heavy duty disc type motor brake composed of stacked brake plates and friction discs, operating in oil bath inside gear case. Operates independently of load brake.

# Apollo hoist with lug suspension



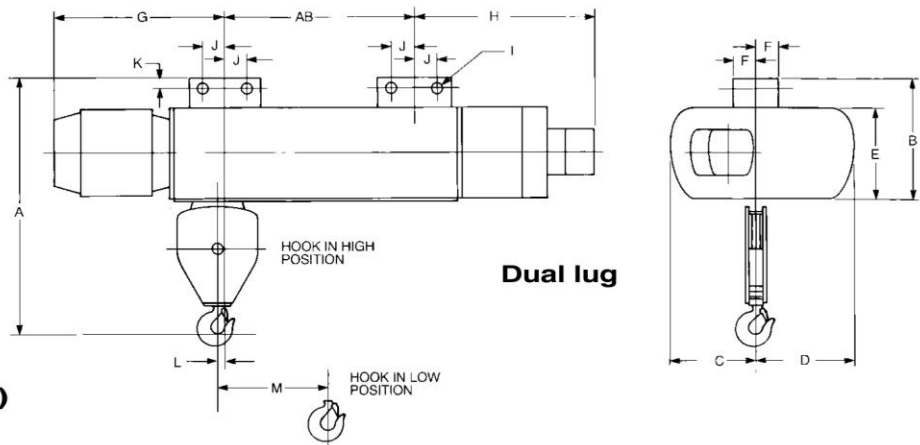
### Clearance dimensions (in.)

Rated capacity* (tons)	A	B	C	D	E	F	G	H	I	J	K	L	M
3	36 <sup>5</sup> / <sub>8</sub>	16 <sup>1</sup> / <sub>2</sub>	11 <sup>5</sup> / <sub>8</sub>	13 <sup>1</sup> / <sub>8</sub>	12 <sup>1</sup> / <sub>2</sub>	3	22 <sup>3</sup> / <sub>8</sub>	30 <sup>1</sup> / <sub>4</sub>	1 <sup>9</sup> / <sub>32</sub>	3	1 <sup>3</sup> / <sub>8</sub>	3 <sup>3</sup> / <sub>4</sub>	4 <sup>7</sup> / <sub>8</sub>
5	36 <sup>5</sup> / <sub>8</sub>	16 <sup>1</sup> / <sub>2</sub>	11 <sup>5</sup> / <sub>8</sub>	13 <sup>1</sup> / <sub>8</sub>	12 <sup>1</sup> / <sub>2</sub>	3	22 <sup>3</sup> / <sub>4</sub>	30 <sup>1</sup> / <sub>4</sub>	1 <sup>9</sup> / <sub>32</sub>	3	1 <sup>3</sup> / <sub>8</sub>	3 <sup>3</sup> / <sub>4</sub>	4 <sup>7</sup> / <sub>8</sub>
7.5	36 <sup>5</sup> / <sub>8</sub>	16 <sup>1</sup> / <sub>2</sub>	11 <sup>5</sup> / <sub>8</sub>	13 <sup>3</sup> / <sub>8</sub>	12 <sup>1</sup> / <sub>2</sub>	3	25 <sup>5</sup> / <sub>8</sub>	30 <sup>1</sup> / <sub>4</sub>	1 <sup>17</sup> / <sub>32</sub>	3	1 <sup>3</sup> / <sub>8</sub>	3 <sup>1</sup> / <sub>4</sub>	4 <sup>3</sup> / <sub>4</sub>
15	51 <sup>3</sup> / <sub>4</sub>	22 <sup>3</sup> / <sub>4</sub>	15 <sup>7</sup> / <sub>8</sub>	18 <sup>3</sup> / <sub>8</sub>	17 <sup>3</sup> / <sub>4</sub>	4	26 <sup>5</sup> / <sub>8</sub>	33 <sup>3</sup> / <sub>4</sub>	2 <sup>1</sup> / <sub>32</sub>	8	2	7 <sup>7</sup> / <sub>8</sub>	2 <sup>3</sup> / <sub>4</sub>

### Specifications

Product code	Rated capacity* (tons)	Lift (ft.)	Speed (F.P.M.)	H.P.	Rope no. & dia.	Weight (lbs.)
6012L	3	26	15	3	4 <sup>3</sup> / <sub>8</sub>	845
6020L	5	26	15	5	4 <sup>3</sup> / <sub>8</sub>	860
6028L	7.5	22	14	7.5	4 <sup>7</sup> / <sub>16</sub>	910
6036L	15	14	13	15	6 <sup>9</sup> / <sub>16</sub>	1860

**\*WARNING**  
Overloading and improper use can result in injury.  
See page 94



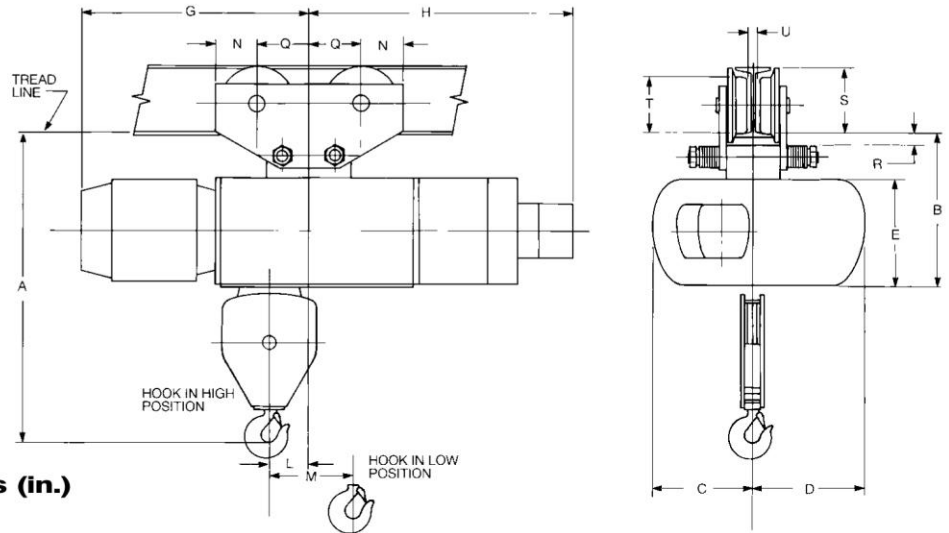
### Clearance dimensions (in.)

Rated capacity* (tons)	A	B	C	D	E	F	G	H	I	J	K	L	M	AB
5	36 <sup>5</sup> / <sub>8</sub>	16 <sup>1</sup> / <sub>2</sub>	11 <sup>5</sup> / <sub>8</sub>	13 <sup>1</sup> / <sub>8</sub>	12 <sup>1</sup> / <sub>2</sub>	3	25 <sup>3</sup> / <sub>4</sub>	24	1 <sup>9</sup> / <sub>32</sub>	3	1 <sup>3</sup> / <sub>8</sub>	3 <sup>3</sup> / <sub>8</sub>	8 <sup>3</sup> / <sub>4</sub>	25 <sup>3</sup> / <sub>8</sub>
10	39 <sup>7</sup> / <sub>8</sub>	19	11 <sup>5</sup> / <sub>8</sub>	13 <sup>1</sup> / <sub>8</sub>	12 <sup>1</sup> / <sub>2</sub>	3	19 <sup>7</sup> / <sub>8</sub>	23 <sup>5</sup> / <sub>8</sub>	1 <sup>17</sup> / <sub>32</sub>	3	1 <sup>1</sup> / <sub>2</sub>	2 <sup>5</sup> / <sub>8</sub>	5 <sup>3</sup> / <sub>4</sub>	27 <sup>5</sup> / <sub>8</sub>

### Specifications

Product code	Rated capacity* (tons)	Lift (ft.)	Speed (F.P.M.)	H.P.	Rope no. & dia.	Weight (lbs.)
6024L	5	47	20	7.5	4 <sup>3</sup> / <sub>8</sub>	1225
6032L	10	25	13.5	10	6 <sup>7</sup> / <sub>16</sub>	1325

# Apollo hoist with plain push trolley



### Clearance dimensions (in.)

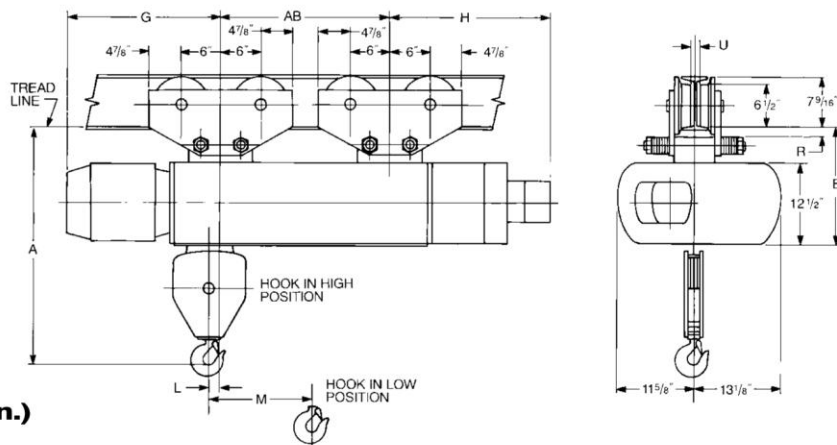
Rated capacity* (tons)	A	B	C	D	E	G	H	L	M	N	Q	R	S	T	U
3	38	17 <sup>7</sup> / <sub>8</sub>	11 <sup>5</sup> / <sub>8</sub>	13 <sup>1</sup> / <sub>8</sub>	12 <sup>1</sup> / <sub>2</sub>	22 <sup>3</sup> / <sub>8</sub>	30 <sup>1</sup> / <sub>4</sub>	3 <sup>3</sup> / <sub>4</sub>	4 <sup>7</sup> / <sub>8</sub>	4 <sup>7</sup> / <sub>8</sub>	6	1 <sup>13</sup> / <sub>32</sub>	7 <sup>9</sup> / <sub>16</sub>	6 <sup>1</sup> / <sub>2</sub>	1
5	38	17 <sup>7</sup> / <sub>8</sub>	11 <sup>5</sup> / <sub>8</sub>	13 <sup>1</sup> / <sub>8</sub>	12 <sup>1</sup> / <sub>2</sub>	22 <sup>3</sup> / <sub>4</sub>	30 <sup>1</sup> / <sub>4</sub>	3 <sup>3</sup> / <sub>4</sub>	4 <sup>7</sup> / <sub>8</sub>	4 <sup>7</sup> / <sub>8</sub>	6	1 <sup>13</sup> / <sub>32</sub>	7 <sup>9</sup> / <sub>16</sub>	6 <sup>1</sup> / <sub>2</sub>	1
7.5	38	17 <sup>7</sup> / <sub>8</sub>	11 <sup>5</sup> / <sub>8</sub>	13 <sup>1</sup> / <sub>8</sub>	12 <sup>1</sup> / <sub>2</sub>	25 <sup>3</sup> / <sub>8</sub>	30 <sup>1</sup> / <sub>4</sub>	3 <sup>1</sup> / <sub>4</sub>	4 <sup>3</sup> / <sub>4</sub>	4 <sup>7</sup> / <sub>8</sub>	6	1 <sup>13</sup> / <sub>32</sub>	7 <sup>9</sup> / <sub>16</sub>	6 <sup>1</sup> / <sub>2</sub>	1
15	53 <sup>1</sup> / <sub>2</sub>	24 <sup>1</sup> / <sub>2</sub>	15 <sup>7</sup> / <sub>8</sub>	18 <sup>3</sup> / <sub>8</sub>	17 <sup>3</sup> / <sub>4</sub>	26 <sup>5</sup> / <sub>8</sub>	33 <sup>3</sup> / <sub>4</sub>	3 <sup>7</sup> / <sub>8</sub>	4 <sup>3</sup> / <sub>4</sub>	6	7	1 <sup>3</sup> / <sub>4</sub>	9 <sup>5</sup> / <sub>16</sub>	8	1 <sup>13</sup> / <sub>16</sub>

### Specifications

Product code	Rated capacity* (tons)	Lift (ft.)	Speed (F.P.M.)	H.P.	Rope no. & dia.	Net weight (lbs.)
6012P	3	26	15	3	4 3/8	985
6020P	5	26	15	5	4 3/8	1000
6028P	7.5	22	14	7.5	4 7/16	1050
6036P	15	14	13	15	6 9/16	2370

Trolley flange size range width 4" min., 6<sup>1</sup>/<sub>4</sub>" max. standard

### Dual trolley



### Clearance dimensions (in.)

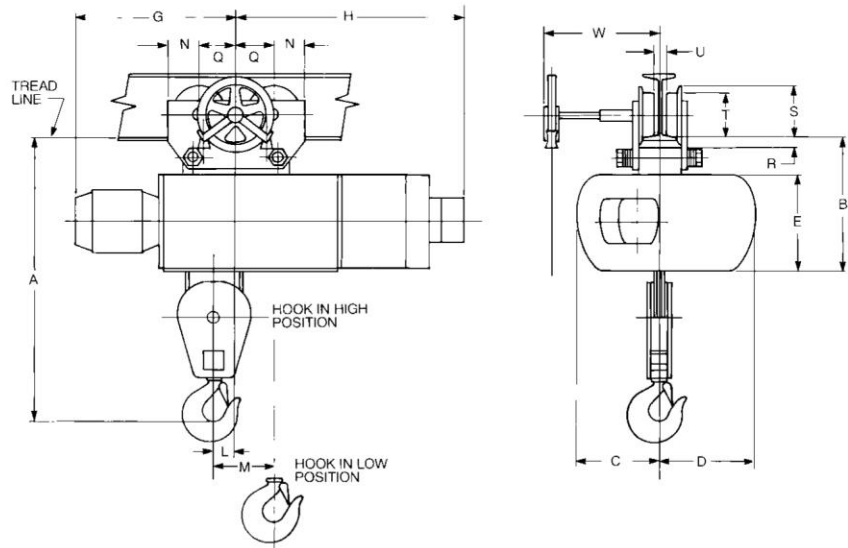
Rated capacity* (tons)	A	B	G	H	L	M	R	U	AB
5	38	17 <sup>7</sup> / <sub>8</sub>	22 <sup>5</sup> / <sub>8</sub>	24	3 <sup>3</sup> / <sub>8</sub>	8 <sup>3</sup> / <sub>4</sub>	1 <sup>13</sup> / <sub>32</sub>	1	25 <sup>5</sup> / <sub>8</sub>
10	41 <sup>7</sup> / <sub>8</sub>	20 <sup>1</sup> / <sub>4</sub>	19 <sup>7</sup> / <sub>8</sub>	23 <sup>5</sup> / <sub>8</sub>	2 <sup>5</sup> / <sub>8</sub>	5 <sup>3</sup> / <sub>4</sub>	1 <sup>9</sup> / <sub>32</sub>	1 <sup>11</sup> / <sub>16</sub>	27 <sup>5</sup> / <sub>8</sub>

### Specifications

Product code	Rated capacity* (tons)	Lift (ft.)	Speed (F.P.M.)	H.P.	Rope no. & dia.	Weight (lbs.)
024P	5	47	20	7.5	4 3/8	1590
032P	10	25	13	10	6 7/16	1690

Trolley flange size range width 4" min., 6<sup>1</sup>/<sub>4</sub>" max. standard

# Apollo hoist with hand geared trolley



### Clearance dimensions (in.)

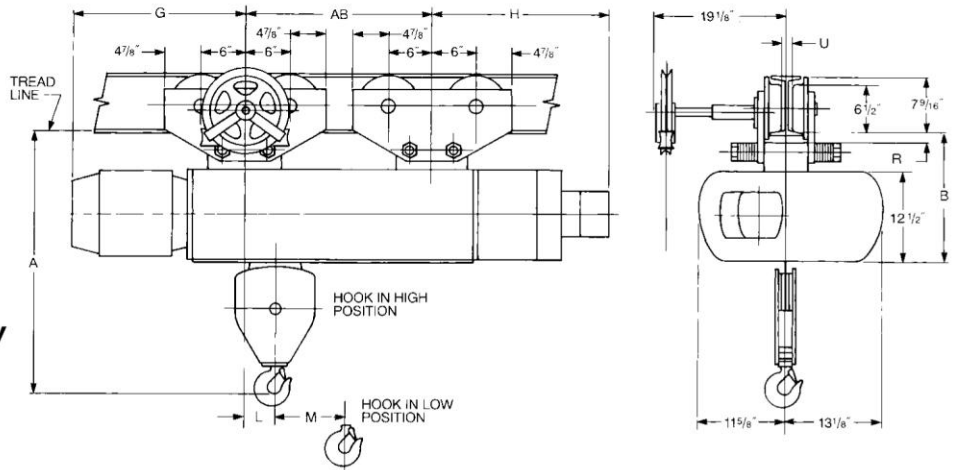
Rated capacity* (tons)	A	B	C	D	E	G	H	L	M	N	Q	R	S	T	U	W
3	38	17 <sup>7</sup> / <sub>8</sub>	11 <sup>5</sup> / <sub>8</sub>	13 <sup>1</sup> / <sub>8</sub>	12 <sup>1</sup> / <sub>2</sub>	22 <sup>3</sup> / <sub>8</sub>	30 <sup>1</sup> / <sub>4</sub>	3 <sup>3</sup> / <sub>4</sub>	4 <sup>7</sup> / <sub>8</sub>	4 <sup>7</sup> / <sub>8</sub>	6	1 <sup>13</sup> / <sub>32</sub>	7 <sup>9</sup> / <sub>16</sub>	6 <sup>1</sup> / <sub>2</sub>	1	19 <sup>1</sup> / <sub>8</sub>
5	38	17 <sup>7</sup> / <sub>8</sub>	11 <sup>5</sup> / <sub>8</sub>	13 <sup>1</sup> / <sub>8</sub>	12 <sup>1</sup> / <sub>2</sub>	22 <sup>3</sup> / <sub>4</sub>	30 <sup>1</sup> / <sub>4</sub>	3 <sup>3</sup> / <sub>4</sub>	4 <sup>7</sup> / <sub>8</sub>	4 <sup>7</sup> / <sub>8</sub>	6	1 <sup>13</sup> / <sub>32</sub>	7 <sup>9</sup> / <sub>16</sub>	6 <sup>1</sup> / <sub>2</sub>	1	19 <sup>1</sup> / <sub>8</sub>
7.5	38	17 <sup>7</sup> / <sub>8</sub>	11 <sup>5</sup> / <sub>8</sub>	13 <sup>1</sup> / <sub>8</sub>	12 <sup>1</sup> / <sub>2</sub>	25 <sup>5</sup> / <sub>8</sub>	30 <sup>1</sup> / <sub>4</sub>	3 <sup>1</sup> / <sub>4</sub>	4 <sup>3</sup> / <sub>4</sub>	4 <sup>7</sup> / <sub>8</sub>	6	1 <sup>13</sup> / <sub>32</sub>	7 <sup>9</sup> / <sub>16</sub>	6 <sup>1</sup> / <sub>2</sub>	1	19 <sup>1</sup> / <sub>8</sub>
15	53 <sup>1</sup> / <sub>2</sub>	24 <sup>1</sup> / <sub>2</sub>	15 <sup>7</sup> / <sub>8</sub>	18 <sup>3</sup> / <sub>8</sub>	17 <sup>3</sup> / <sub>4</sub>	26 <sup>5</sup> / <sub>8</sub>	33 <sup>3</sup> / <sub>4</sub>	7 <sup>1</sup> / <sub>8</sub>	2 <sup>3</sup> / <sub>4</sub>	6	7	1 <sup>3</sup> / <sub>4</sub>	9 <sup>5</sup> / <sub>16</sub>	8	1 <sup>13</sup> / <sub>16</sub>	23 <sup>1</sup> / <sub>4</sub>

### Specifications

Product code	Rated capacity* (tons)	Lift (ft.)	Speed (F.P.M.)	H.P.	Rope no. & dia.	Net weight (lbs.)
6012G	3	26	15	3	4 3/8	1010
6020G	5	26	15	5	4 3/8	1085
6028G	7.5	22	14	7.5	4 7/16	1135
6036G	15	14	13	15	6 9/16	2400

Trolley flange size range width 4" min., 6<sup>1</sup>/<sub>4</sub>" max. standard

**\* WARNING**  
Overloading and improper use can result in injury.  
See page 100



Dual trolley

### Clearance dimensions (in.)

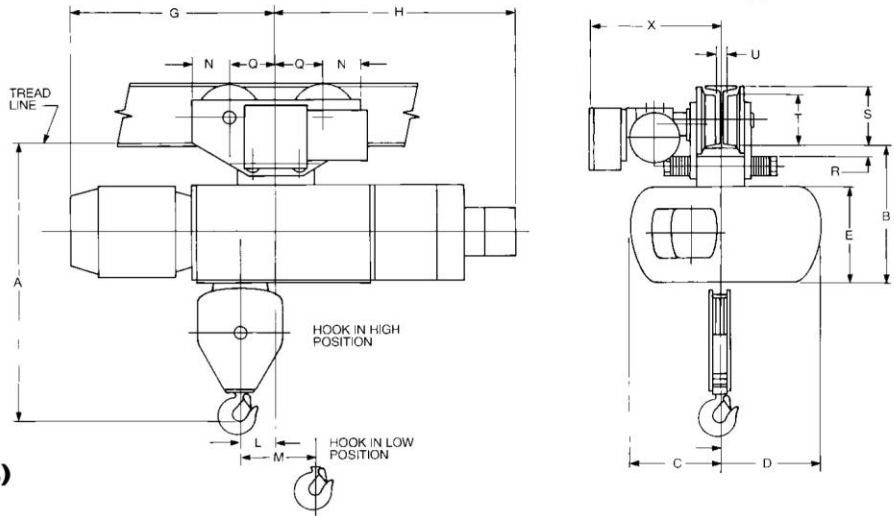
Rated capacity* (tons)	A	B	G	H	L	M	R	U	AB
5	38	17 <sup>7</sup> / <sub>8</sub>	22 <sup>5</sup> / <sub>8</sub>	24	3 <sup>3</sup> / <sub>8</sub>	8 <sup>3</sup> / <sub>4</sub>	1 <sup>13</sup> / <sub>32</sub>	1	25 <sup>3</sup> / <sub>8</sub>
10	41 <sup>7</sup> / <sub>8</sub>	20 <sup>1</sup> / <sub>4</sub>	19 <sup>7</sup> / <sub>8</sub>	23 <sup>5</sup> / <sub>8</sub>	2 <sup>5</sup> / <sub>8</sub>	5 <sup>3</sup> / <sub>4</sub>	1 <sup>9</sup> / <sub>32</sub>	1 <sup>11</sup> / <sub>16</sub>	27 <sup>5</sup> / <sub>8</sub>

### Specifications

Product code	Rated capacity* (tons)	Lift (ft.)	Speed (F.P.M.)	H.P.	Rope no. & dia.	Weight (lbs.)
6024G	5	47	20	7.5	4 3/8	1650
6032G	10	25	13	10	6 7/16	1750

Trolley flange size range width 4" min., 6<sup>1</sup>/<sub>4</sub>" max. standard

# Apollo hoist with motor driven trolley



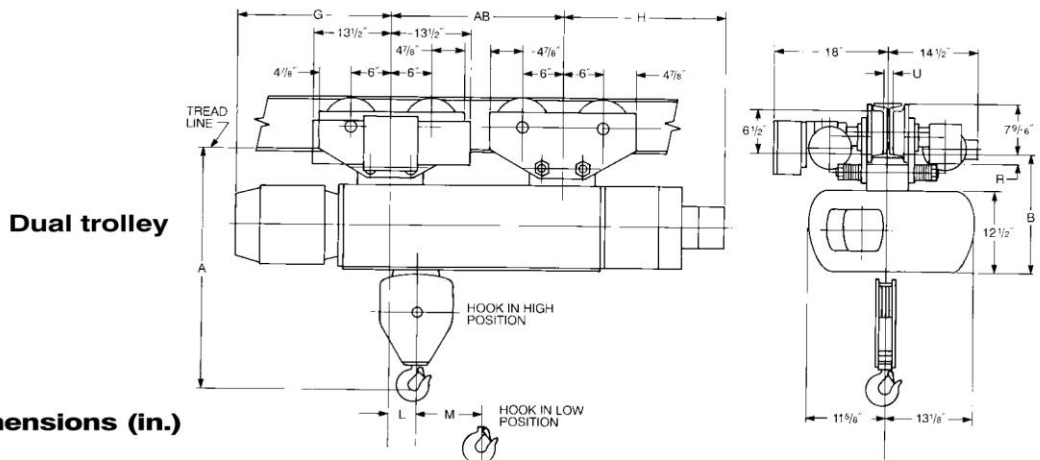
### Clearance dimensions (in.)

Rated capacity* (tons)	Clearance dimensions (in.)															
	A	B	C	D	E	G	H	L	M	N	Q	R	S	T	U	X
3	38	17 <sup>7</sup> / <sub>8</sub>	11 <sup>5</sup> / <sub>8</sub>	13 <sup>1</sup> / <sub>8</sub>	12 <sup>1</sup> / <sub>2</sub>	22 <sup>3</sup> / <sub>8</sub>	30 <sup>1</sup> / <sub>4</sub>	3 <sup>3</sup> / <sub>4</sub>	4 <sup>7</sup> / <sub>8</sub>	4 <sup>7</sup> / <sub>8</sub>	6	11 <sup>13</sup> / <sub>32</sub>	7 <sup>9</sup> / <sub>16</sub>	6 <sup>1</sup> / <sub>2</sub>	1	18
5	37 <sup>7</sup> / <sub>8</sub>	17 <sup>7</sup> / <sub>8</sub>	11 <sup>5</sup> / <sub>8</sub>	13 <sup>1</sup> / <sub>8</sub>	12 <sup>1</sup> / <sub>2</sub>	22 <sup>3</sup> / <sub>4</sub>	30 <sup>1</sup> / <sub>4</sub>	3 <sup>3</sup> / <sub>4</sub>	4 <sup>7</sup> / <sub>8</sub>	4 <sup>7</sup> / <sub>8</sub>	6	11 <sup>13</sup> / <sub>32</sub>	7 <sup>9</sup> / <sub>16</sub>	6 <sup>1</sup> / <sub>2</sub>	1	18
7.5	38	17 <sup>7</sup> / <sub>8</sub>	11 <sup>5</sup> / <sub>8</sub>	13 <sup>1</sup> / <sub>8</sub>	12 <sup>1</sup> / <sub>2</sub>	25 <sup>5</sup> / <sub>8</sub>	30 <sup>1</sup> / <sub>4</sub>	3 <sup>1</sup> / <sub>4</sub>	4 <sup>3</sup> / <sub>4</sub>	4 <sup>7</sup> / <sub>8</sub>	6	11 <sup>13</sup> / <sub>32</sub>	7 <sup>9</sup> / <sub>16</sub>	6 <sup>1</sup> / <sub>2</sub>	1	18
15	53 <sup>1</sup> / <sub>2</sub>	24 <sup>1</sup> / <sub>2</sub>	15 <sup>7</sup> / <sub>8</sub>	18 <sup>3</sup> / <sub>8</sub>	17 <sup>3</sup> / <sub>4</sub>	26 <sup>5</sup> / <sub>8</sub>	33 <sup>3</sup> / <sub>4</sub>	7 <sup>7</sup> / <sub>8</sub>	2 <sup>3</sup> / <sub>4</sub>	6	7	1 <sup>3</sup> / <sub>4</sub>	9 <sup>5</sup> / <sub>16</sub>	8	11 <sup>13</sup> / <sub>16</sub>	19 <sup>1</sup> / <sub>8</sub>

### Specifications

Product code	Rated capacity* (tons)	HOIST				TROLLEY		
		Lift (ft.)	Speed (F.P.M.)	H.P.	Rope no. & dia.	Speed (F.P.M.)	H.P.	Weight (lbs.)
6012M	3	26	15	3	4 3/8	50	1/2	1035
6020M	5	26	15	5	4 3/8	50	1/2	1050
6028M	7.5	22	14	7.5	4 7/16	50	1/2	1100
6036M	15	14	13	15	6 9/16	45	3/4	2510

Trolley flange size range width 4" min., 6<sup>1</sup>/<sub>4</sub>" max. standard



### Clearance dimensions (in.)

Rated capacity* (tons)	Clearance dimensions (in.)									
	A	B	G	H	L	M	R	U	AB	
5	38	17 <sup>7</sup> / <sub>8</sub>	22 <sup>5</sup> / <sub>8</sub>	24	3 <sup>3</sup> / <sub>8</sub>	8 <sup>3</sup> / <sub>4</sub>	11 <sup>13</sup> / <sub>32</sub>	1	25 <sup>3</sup> / <sub>8</sub>	
10	41 <sup>7</sup> / <sub>8</sub>	20 <sup>1</sup> / <sub>4</sub>	19 <sup>7</sup> / <sub>8</sub>	23 <sup>5</sup> / <sub>8</sub>	2 <sup>5</sup> / <sub>8</sub>	5 <sup>3</sup> / <sub>4</sub>	1 <sup>9</sup> / <sub>32</sub>	11 <sup>11</sup> / <sub>16</sub>	27 <sup>5</sup> / <sub>8</sub>	

### Specifications

Product code	Rated capacity* (tons)	HOIST				TROLLEY		Net weight (lbs.)
		Lift (ft.)	Speed (F.P.M.)	H.P.	Rope no. & dia.	Speed (F.P.M.)	H.P.	
6024M	5	47	20	7.5	4 3/8	50	(2) 1/4	1685
6032M	10	25	13	10	6 7/16	50	(2) 1/4	1785

Trolley flange size range width 4" min., 6<sup>1</sup>/<sub>4</sub>" max. standard